



OPENDANT-XXX

SURFACE MOUNT METAL



OTIS

2.5" LED EXTENDED DESTINATION ARROW

Long life, solid state LED's with a 100,000 hour rated life. Accepts existing signals over the Otis RSL link. Destination characters are available in one of multiple colors for viewing. The unit is also equipped with an arrival gong and destination tones, and ECA. The programming is dip switch selectable. Colors available are red, white, green, blue and amber.

TYPICAL APPLICATIONS:

- > Destination display

FEATURES:

- > 2½" characters
- > 1 year factory warranty
- > Includes gong tones
- > OTIS RSL input
- > ECA
- > Optional Metal
- > Optional destination voice card + additional cost.
- > Note: When adding voice board, this will include our 9SPKRASY03 SPEAKER

COLORS AVAILABLE:

- Red
- Green
- Amber
- Blue
- White

OTIS

Otis Elevator Company

Newberry Road

Bloomfield, CT

Ph: 860.676.6000

Otis Worldwide

www.otisworldwide.com

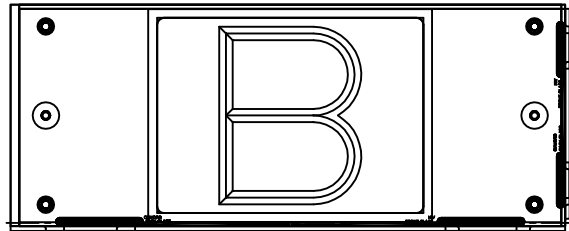




OPENDANT-XXX

Ver. 2 Rel. 3/08/2016

OTIS



HORIZONTAL

OPENDANT

2.5" LED EXTENDED DESTINATION ARROW

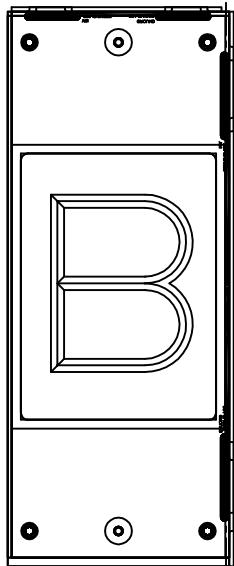
Long life, solid state LED's with a 100,000 hour rated life. Accepts existing signals over the Otis RSL link. Destination characters are available in one of multiple colors for viewing. The unit is also equipped with an arrival gong and destination tones. The programming is dip switch selectable. Colors available are white, green, red, blue and amber.

Typical Applications

- Destination characters

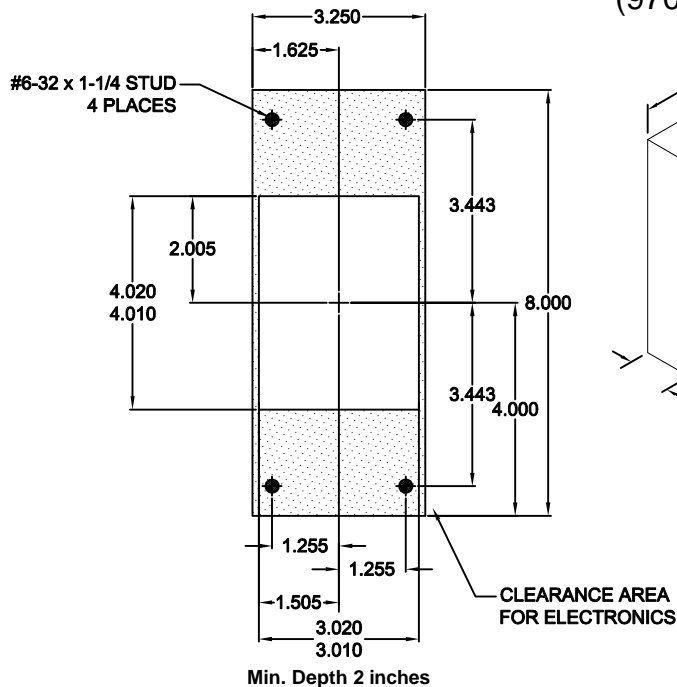
Features:

- 2 1/2" characters
- 1 year factory warranty
- Includes gong tones
- Otis RSL input
- ECA
- Optional Metal

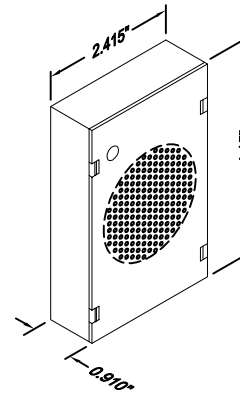


VERTICAL

CUTOUT & STUD DETAIL



TONE SPEAKER (9700000263)

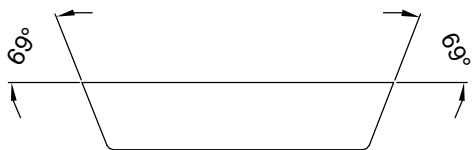


TO ORDER: - SPECIFY OPENDANT - X X X

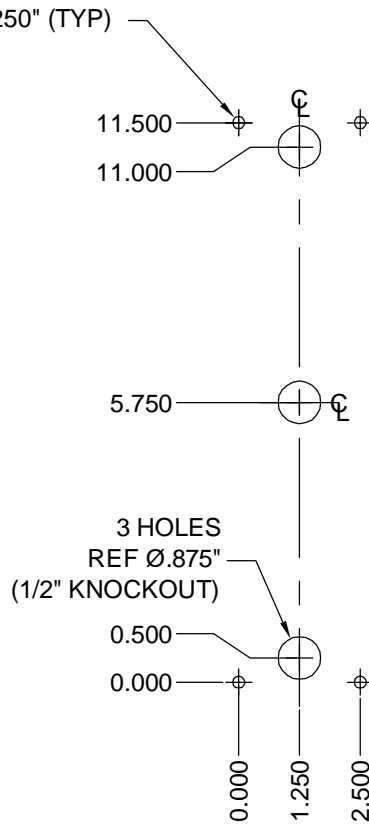
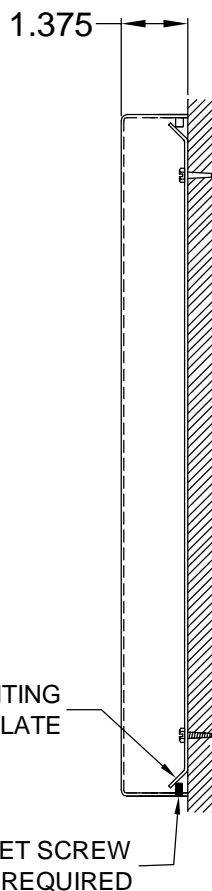
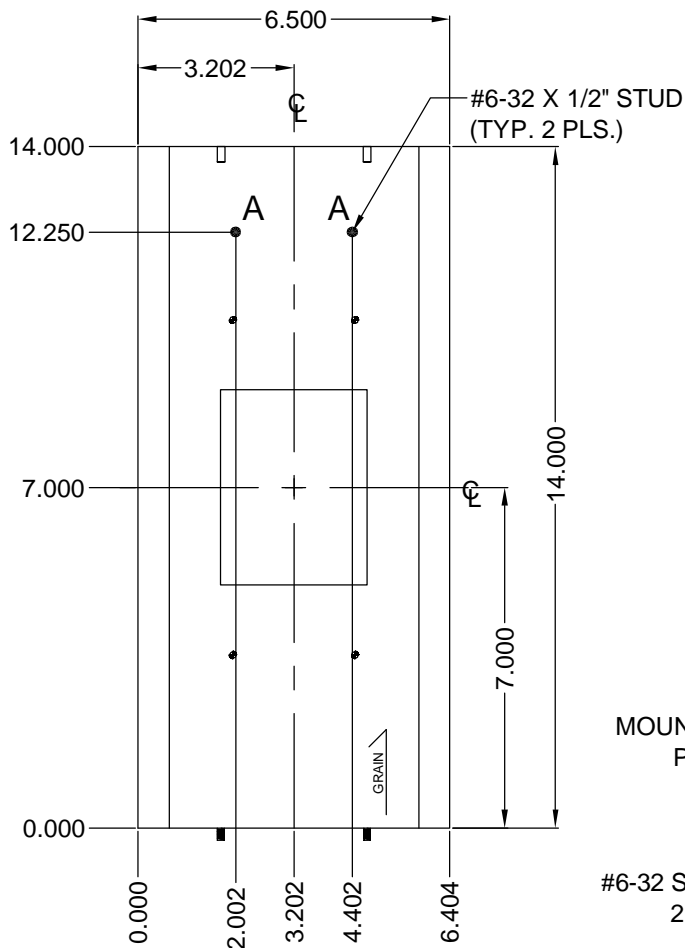
Orientation:
 "H" = Horizontal
 "V" = Vertical

Destination Color:
 "R" = Red
 "G" = Green
 "B" = Blue
 "W" = White
 "A" = Amber

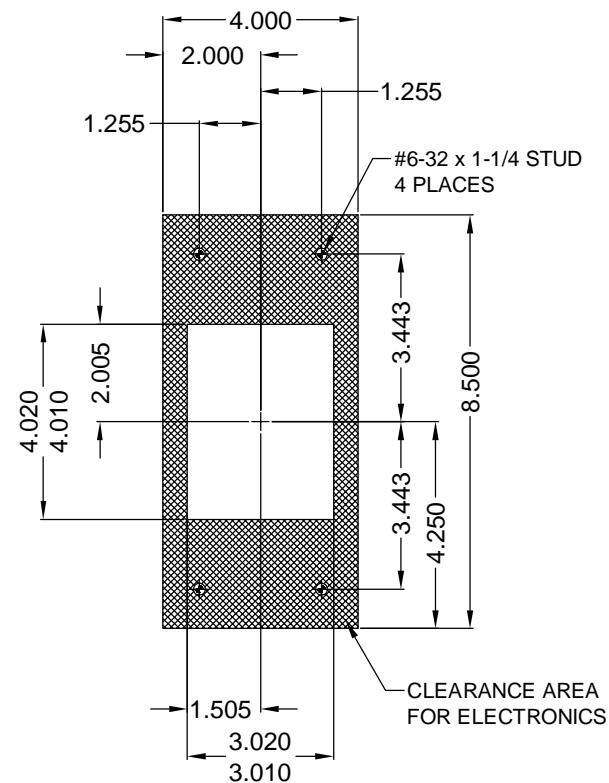
"BLANK" = No Voice



COVER PLATE



CUTOUT & STUD DETAIL



NOTE:
GRAY AREA IS BOARD CLEARANCE

CUT-OUT & MTG. DETAIL

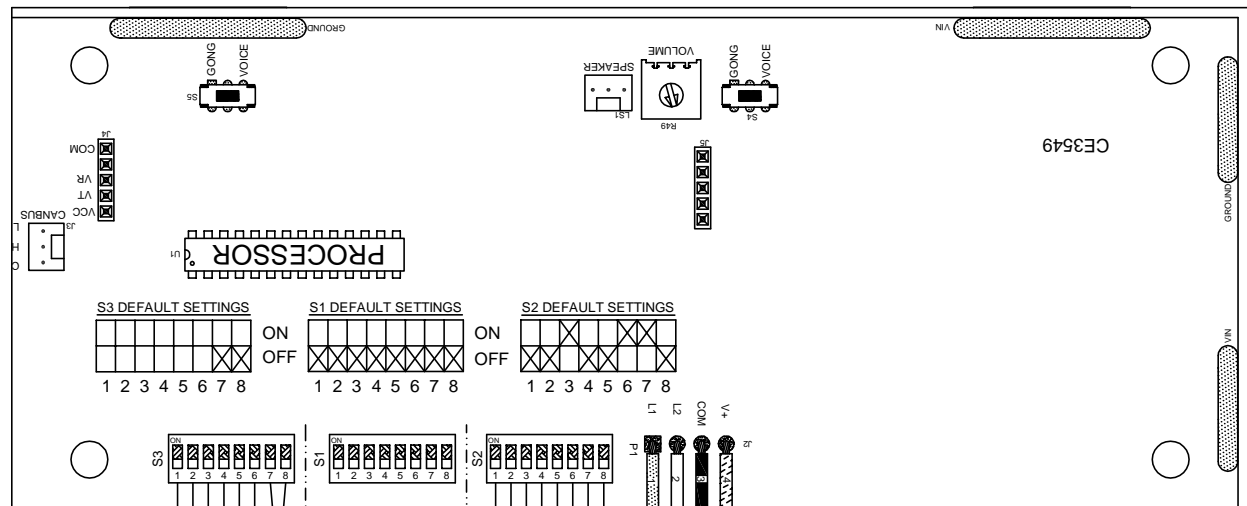
MATERIAL: 16 GA (.060) STAINLESS STEEL
FINISH: #4 BRUSHED - VERTICAL GRAIN
NOTE: GALVANIZED BACK PLATE INCLUDED

LENS NUMBER:	BOARD # & REV:
APPROVED BY:	
Signature: _____	
Date: _____	
Company: _____	

DATE DRAWN: 6/10/09	LAST DATE REVISED 1/10/2011	SCALE NONE	PART #
DRAWN BY: D.W.S.	TOLERANCE UNLESS OTHERWISE SPECIFIED: +0.015, -0.015		C.E. ELECTRONICS, INC. 2107 Industrial Drive Bryan, Ohio 43506 (419) 636-6705
REQUESTED BY: G.L.C.	TOLERANCE FOR CUTOUT (WINDOW): +0.020, -0.000		
TITLE: FIXTURE SURFACE VERTICAL			DWG. NO. 70100144

JOB# _____

OPENDANT-X

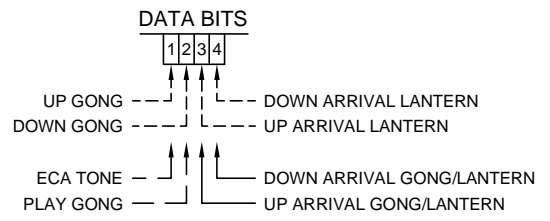
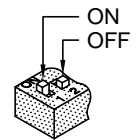


DIP SWITCH S3 PICKS THE ELEMENTS TO SHOW ON THE FRONT AND BACK GLASS (UP ARROW, DOWN ARROW, OR FLOOR). USE ONLY ONE DIP SWITCH AT A TIME FROM EACH BANK OF THREE SWITCHES.

LIGHTED CHARACTER ACTIVATION BIT CHART

S1-DS7	S1-DS8	BIT #
0	0	1
1	0	2
0	1	3
1	1	4

S2-DS1	S2-DS8	FUNCTION
1	0	SELF-TEST MODE
0	0	GONG USES BIT 1 UP (SINGLE) AND BIT 2 DOWN (DOUBLE)
0	1	GONG USES BIT 3 UP AND BIT 4 DOWN (BOTH SINGLE)
1	1	ECA MODE - GONG USES BIT 3 UP AND BIT 4 DOWN (BOTH SINGLE)



----- = DIP SWITCH 8 OFF
 _____ = DIP SWITCH 8 ON
 - - - - - = DIP SWITCH 1 AND 8 ON

CODE VERSION _____
 BOARD VERSION CE3549 _____

OTIS SERIAL CONNECTION

CHART TO SELECT ADDRESSES WITH DIP SWITCHES

S2 - ARROW S1 - FLOOR	SWITCH VALUE						S2 - S1 -	SWITCH VALUE					
	DS1	DS2	DS3	DS4	DS5	DS6		DS1	DS2	DS3	DS4	DS5	DS6
INVALID	OFF	OFF	OFF	OFF	OFF	OFF	OFF	OFF	OFF	OFF	OFF	OFF	OFF
INVALID	OFF	OFF	OFF	OFF	OFF	OFF	ON	OFF	OFF	OFF	OFF	OFF	OFF
INVALID	OFF	OFF	OFF	OFF	OFF	OFF	ON	ON	OFF	OFF	OFF	OFF	OFF
INVALID	OFF	OFF	OFF	OFF	OFF	OFF	ON	ON	ON	OFF	OFF	OFF	OFF
ADDRESS 4	OFF	OFF	ON	OFF	OFF	OFF	ON	OFF	OFF	OFF	OFF	OFF	OFF
ADDRESS 5	ON	OFF	ON	OFF	OFF	OFF	ON	OFF	OFF	OFF	OFF	OFF	OFF
ADDRESS 6	OFF	ON	ON	OFF	OFF	OFF	ON	ON	OFF	OFF	OFF	OFF	OFF
ADDRESS 7	ON	ON	ON	OFF	OFF	OFF	ON	ON	ON	OFF	OFF	OFF	OFF
ADDRESS 8	OFF	OFF	OFF	ON	OFF	OFF	ON	OFF	OFF	OFF	OFF	OFF	OFF
ADDRESS 9	ON	OFF	OFF	ON	OFF	OFF	ON	OFF	OFF	OFF	OFF	OFF	OFF
ADDRESS 10	OFF	ON	OFF	ON	OFF	OFF	ON	ON	OFF	OFF	OFF	OFF	OFF
ADDRESS 11	ON	ON	ON	OFF	ON	OFF	ON	ON	ON	OFF	OFF	OFF	OFF
ADDRESS 12	OFF	OFF	ON	ON	OFF	OFF	ON	OFF	OFF	OFF	OFF	OFF	OFF
ADDRESS 13	ON	OFF	ON	ON	OFF	OFF	ON	OFF	OFF	OFF	OFF	OFF	OFF
ADDRESS 14	OFF	ON	ON	ON	OFF	OFF	ON	ON	ON	OFF	OFF	OFF	OFF
ADDRESS 15	ON	ON	ON	ON	OFF	OFF	ON	ON	ON	OFF	OFF	OFF	OFF
ADDRESS 16	OFF	OFF	OFF	OFF	ON	OFF	ON	OFF	OFF	OFF	OFF	OFF	OFF
ADDRESS 17	ON	OFF	OFF	OFF	ON	OFF	ON	OFF	OFF	OFF	OFF	OFF	OFF
ADDRESS 18	OFF	ON	OFF	OFF	ON	OFF	ON	ON	OFF	OFF	OFF	OFF	OFF
ADDRESS 19	ON	ON	OFF	OFF	ON	OFF	ON	ON	ON	OFF	OFF	OFF	OFF
ADDRESS 20	OFF	OFF	ON	OFF	ON	OFF	ON	OFF	OFF	OFF	OFF	OFF	OFF
ADDRESS 21	ON	OFF	ON	OFF	ON	OFF	ON	ON	ON	OFF	OFF	OFF	OFF
ADDRESS 22	OFF	ON	ON	OFF	ON	OFF	ON	ON	ON	OFF	OFF	OFF	OFF
ADDRESS 23	ON	ON	ON	OFF	ON	OFF	ON	ON	ON	OFF	OFF	OFF	OFF
ADDRESS 24	OFF	OFF	OFF	ON	ON	OFF	ON	OFF	OFF	OFF	OFF	OFF	OFF
ADDRESS 25	ON	OFF	OFF	ON	ON	OFF	ON	ON	ON	OFF	OFF	OFF	OFF
ADDRESS 26	OFF	ON	OFF	ON	ON	OFF	ON	ON	ON	OFF	OFF	OFF	OFF
ADDRESS 27	ON	ON	OFF	ON	ON	OFF	ON	ON	ON	OFF	OFF	OFF	OFF
ADDRESS 28	OFF	OFF	ON	ON	ON	OFF	ON	ON	ON	OFF	OFF	OFF	OFF
ADDRESS 29	ON	OFF	ON	ON	ON	OFF	ON	ON	ON	OFF	OFF	OFF	OFF
ADDRESS 30	OFF	ON	ON	ON	ON	OFF	ON	ON	ON	OFF	OFF	OFF	OFF
ADDRESS 31	ON	ON	ON	ON	ON	OFF	ON	ON	ON	ON	ON	ON	ON
ADDRESS 32	OFF	OFF	OFF	OFF	OFF	OFF	ON	OFF	OFF	OFF	OFF	OFF	OFF
ADDRESS 33	ON	OFF	OFF	OFF	OFF	OFF	ON	ON	OFF	OFF	OFF	OFF	OFF
ADDRESS 34	OFF	ON	OFF	OFF	OFF	OFF	ON	ON	ON	OFF	OFF	OFF	OFF
ADDRESS 35	ON	ON	OFF	OFF	OFF	OFF	ON	ON	ON	OFF	OFF	OFF	OFF
ADDRESS 36	OFF	OFF	ON	OFF	OFF	OFF	ON	ON	ON	OFF	OFF	OFF	OFF
ADDRESS 37	ON	OFF	ON	OFF	OFF	OFF	ON	ON	ON	OFF	OFF	OFF	OFF
ADDRESS 38	OFF	ON	ON	OFF	OFF	OFF	ON	ON	ON	OFF	OFF	OFF	OFF
ADDRESS 39	ON	ON	ON	OFF	OFF	OFF	ON	ON	ON	OFF	OFF	OFF	OFF
ADDRESS 40	OFF	OFF	OFF	ON	OFF	OFF	ON	ON	ON	OFF	OFF	OFF	OFF
ADDRESS 41	ON	OFF	OFF	ON	OFF	OFF	ON	ON	ON	OFF	OFF	OFF	OFF
ADDRESS 42	OFF	ON	OFF	ON	OFF	OFF	ON	ON	ON	OFF	OFF	OFF	OFF
ADDRESS 43	ON	ON	OFF	ON	OFF	OFF	ON	ON	ON	OFF	OFF	OFF	OFF
ADDRESS 44	OFF	OFF	ON	ON	OFF	OFF	ON	ON	ON	OFF	OFF	OFF	OFF
ADDRESS 45	ON	OFF	ON	ON	OFF	OFF	ON	ON	ON	OFF	OFF	OFF	OFF
ADDRESS 46	OFF	ON	ON	ON	OFF	OFF	ON	ON	ON	OFF	OFF	OFF	OFF
ADDRESS 47	ON	ON	ON	ON	OFF	OFF	ON	ON	ON	OFF	OFF	OFF	OFF
ADDRESS 48	OFF	OFF	OFF	OFF	ON	OFF	ON	ON	ON	OFF	OFF	OFF	OFF
ADDRESS 49	ON	OFF	OFF	OFF	ON	OFF	ON	ON	ON	OFF	OFF	OFF	OFF
ADDRESS 50	OFF	ON	OFF	OFF	ON	OFF	ON	ON	ON	OFF	OFF	OFF	OFF
ADDRESS 51	ON	ON	OFF	OFF	ON	OFF	ON	ON	ON	OFF	OFF	OFF	OFF
ADDRESS 52	OFF	OFF	ON	OFF	ON	OFF	ON	ON	ON	OFF	OFF	OFF	OFF
ADDRESS 53	ON	OFF	ON	OFF	ON	OFF	ON	ON	ON	OFF	OFF	OFF	OFF
ADDRESS 54	OFF	ON	ON	OFF	ON	OFF	ON	ON	ON	OFF	OFF	OFF	OFF
ADDRESS 55	ON	ON	ON	OFF	ON	OFF	ON	ON	ON	OFF	OFF	OFF	OFF
ADDRESS 56	OFF	OFF	OFF	ON	ON	OFF	ON	ON	ON	OFF	OFF	OFF	OFF
ADDRESS 57	ON	OFF	OFF	ON	ON	OFF	ON	ON	ON	OFF	OFF	OFF	OFF
ADDRESS 58	OFF	ON	OFF	ON	ON	OFF	ON	ON	ON	OFF	OFF	OFF	OFF
ADDRESS 59	ON	ON	OFF	ON	ON	OFF	ON	ON	ON	OFF	OFF	OFF	OFF
ADDRESS 60	OFF	OFF	ON	ON	ON	OFF	ON	ON	ON	OFF	OFF	OFF	OFF
ADDRESS 61	ON	OFF	ON	ON	ON	OFF	ON	ON	ON	OFF	OFF	OFF	OFF
ADDRESS 62	OFF	ON	ON	ON	ON	OFF	ON	ON	ON	OFF	OFF	OFF	OFF
ADDRESS 63	ON	ON	ON	ON	ON	OFF	ON	ON	ON	ON	ON	ON	ON

DATE DRAWN: 08/04/10	DRAWN BY: DAC	REQUESTED BY: JK	C.E. ELECTRONICS, INC. 2107 Industrial Drive Bryan, Ohio 43506 (419) 636-6705
BOARD NUMBER: 3549,3550,3551	LAST DATE REVISED: 12/13/10	APPROVED BY:	
PRODUCT PENDANT DISPLAY WITH OTIS SERIAL INPUT		DWG. NO. OPENDANT_02	

The following Otis data must be furnished at the specified address for the Otis Serial Indicator to work properly. The address is selected by setting DIP switches 2-7 as shown on the back of this page. The board reads the address determined by the DIP switch setting. For example, if the DIP switch is set to address 50, the board will read the bits at address 50.

At DIP switch address—selected by the DIP switch on the unit (Default 50):

Normal Operation

DIP switch 1 puts the unit in self-test mode.

DIP switch 1 and DIP switch 8 *OFF*:

- Bit 1—Up Gong (Single)
- Bit 2—Down Gong (Double)
- Bit 3—Up Arrival Arrow/Lantern
- Bit 4—Down Arrival Arrow/Lantern

DIP switch 1 *OFF* and DIP switch 8 *ON*:

- Bit 1—Not Used
- Bit 2—Not Used
- Bit 3—Up Arrival Arrow/Lantern and Up Gong (Single)
- Bit 4—Down Arrival Arrow/Lantern and Down Gong (Single)

ECA Operation

DIP switches 1 and 8 *ON* puts the unit in ECA Mode:

- Bit 1—ECA Tone
- Bit 2—Play Gong
- Bit 3—Up Arrival Arrow/Lantern (Single Gong)
- Bit 4—Down Arrival Arrow/Lantern (Double Gong)